

## GST-80 / 100 Stainless Steel Hatch Pull

### Features

- Ideal for use in places where projection from surface is not permitted, such as switch boards and inspection ports
- Thick and smooth handle

### Material

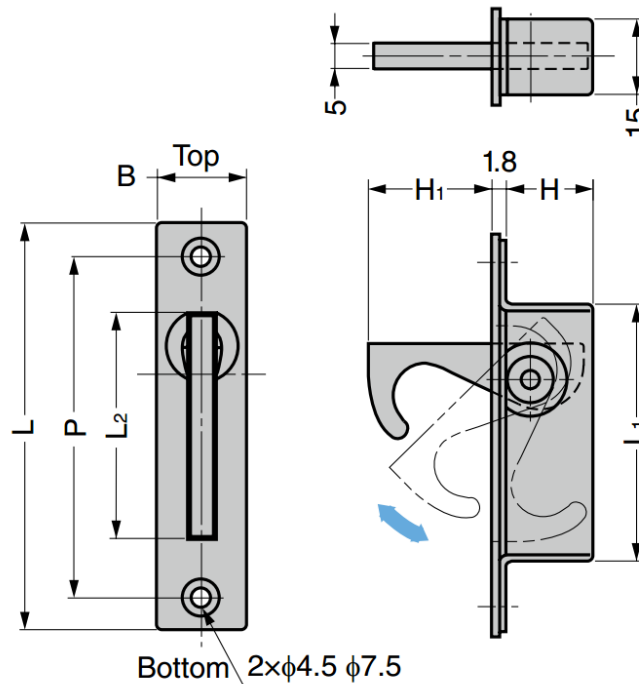
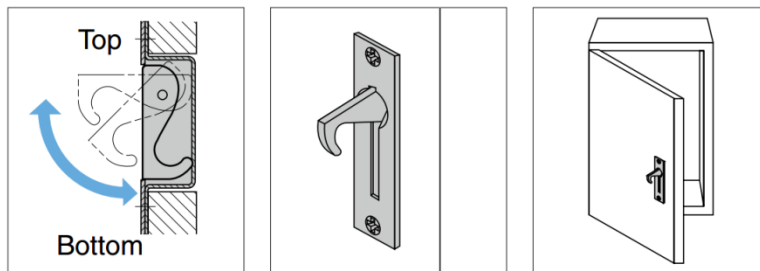
- Stainless steel 304, satin finish

### Notes

- For vertical use and ceiling mount only, do not use on the floor

### Parts Included

- **GST-80:** Countersunk head wood screw 3.5 × 16 (SUS)
- **GST-100:** Countersunk head wood screw 3.5 × 20 (SUS)



Part No.	L	L <sub>1</sub>	L <sub>2</sub>	H	H <sub>1</sub>	B	P
<b>GST-80</b>	80	50	45	18	25	18	68
<b>GST-100</b>	100	63	55.2	21	32	20	85